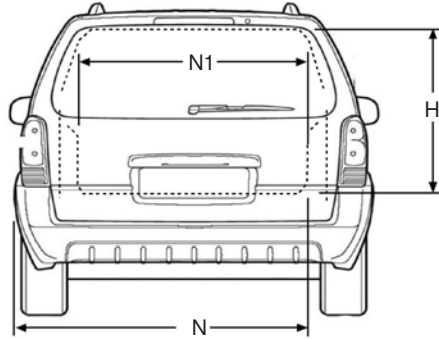
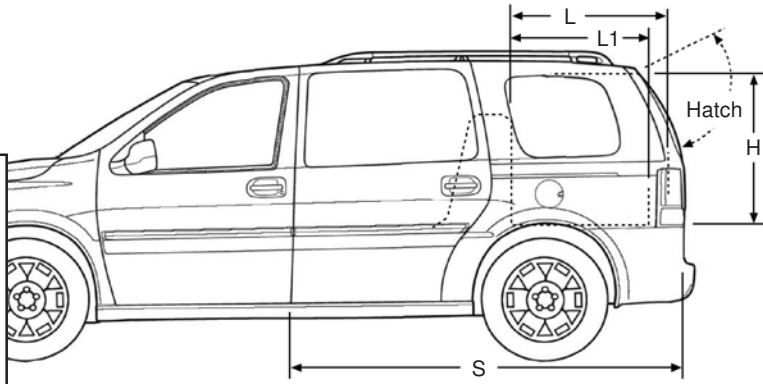


TMN ROBOT Vehicle Dimension Requirements

SUVs & Minivans

Measurements in inches.

| | Minimum (in) | Your Vehicle |
|----|--------------|----------------------|
| L | 36 | <input type="text"/> |
| L1 | 35 | <input type="text"/> |
| H | 14 | <input type="text"/> |
| S | 87 | <input type="text"/> |
| N | 44 | <input type="text"/> |
| N1 | 35.5 | <input type="text"/> |



Note: Minimum dimensions shown are approximate. Additional vehicle and chair measurements must be confirmed before a TMN Robot installation can be scheduled.

L - Distance from the back of the rear seats to the inside back of the rear hatch at center.

L1 - Distance from the back of the rear seats to the any sidewall storage obstructions.

H - Distance from the stowage floor opening to the inside opening of the rear hatch.

S - Distance from rear of the hatch to the driver's side door.

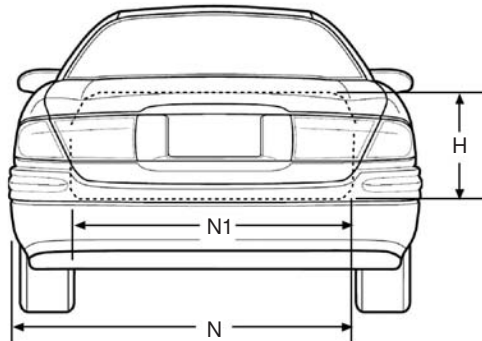
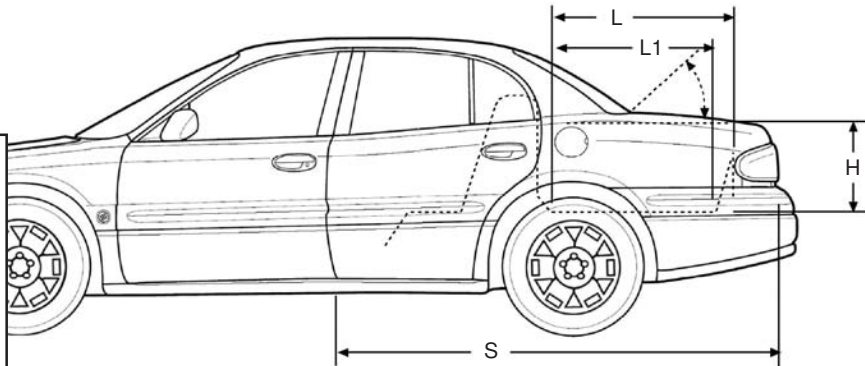
N - Distance from pass-side stowage to the outside of the vehicle on the driver side.

N1 - Distance of the hatch opening, inside of any sidewall storage obstructions.

Sedans

Measurements in inches.

| | Minimum (in) | Your Vehicle |
|----|--------------|----------------------|
| L | 36 | <input type="text"/> |
| L1 | 35 | <input type="text"/> |
| H | 14 | <input type="text"/> |
| S | 87 | <input type="text"/> |
| N | 44 | <input type="text"/> |
| N1 | 35.5 | <input type="text"/> |



Note: Minimum dimensions shown are approximate. Additional vehicle and chair measurements must be confirmed before a TMN Robot installation can be scheduled.

L - Distance from the back of the rear seats to the inside back of the trunk opening at center.

L1 - Distance from the back of the rear seats to the inside trunk side with wall obstructions.

H - Distance from the trunk floor to the inside opening of the trunk at hinged area.

S - Distance from rear of trunk opening to the driver's side door.

N - Distance from inside passenger side trunk to the outside of the vehicle on the driver side.

N1 - Distance of trunk opening at rear of vehicle.

Quotations

Name: _____

Vehicle Year: _____

City/State: _____

Vehicle Make/Model: _____

Phone: _____

Wheelchair: Rigid Frame Folding Weight (lb)

E-Mail: _____

MobilityWorks Contact: _____