



BraunAbility



CompanionVan® SE

CompanionVan® SE Conversion available on:

- 2008 & Newer Dodge Caravan
- 2008 & Newer Chrysler Town & Country

Standard Features

- Manual Foldout Ramp
- Lowered Floor
- Wheelchair/Occupant Securement System

Optional Features

- Retractable Belt Securement System
- Non-Skid Flooring



Lowered Floor

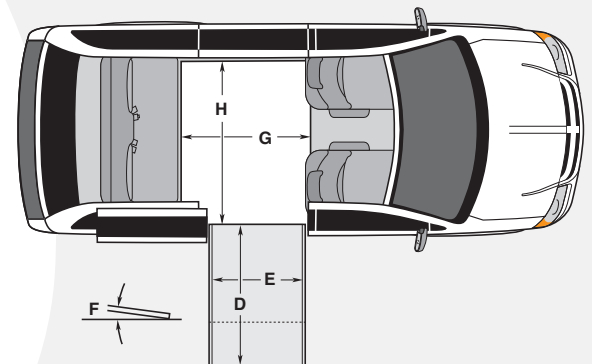
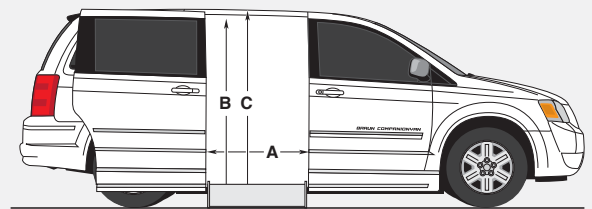
The CompanionVan® SE floor is lowered from the B pillars to the rear seat, providing 55" for the center wheelchair securement position. Tie-down tracks and a belt system are included.

Manual / Automatic Door

The conversion works with either the Chrysler manual sliding door, or the OEM power sliding door.

Manual Foldout Ramp

The lightweight manual foldout ramp offers unparalleled ease of access for wheelchair and scooter users.



Door Opening Usable Width (Slide Door)	A	31"
Door Opening Usable Height (Slide Door)	B	52-1/2"
Interior Height at Center of Van	C	57-1/4"
Ramp Length	D	52"
Ramp Width (Usable Clear Opening)	E	30"
Ramp Angle	F	11°
Interior Lowered Floor Length	G	55"
Interior Lowered Floor Width at Middle of Ramp	H	59-1/2"

www.BraunAbility.com

Due to manufacturing tolerances both with the OEM vehicle and the conversion components, all dimensions may vary slightly from those shown.