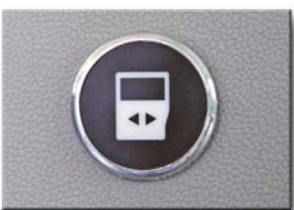


Entervan® XT Features

Entervan® XT 2011 Chrysler/Dodge Chassis Power or Manual Conversion

See back of this guide for chassis requirements.



Lowered Floor

16" lower than conventional minivans, the floor is lowered from the toe pan to the rear axle and provides a choice of three wheelchair securement positions.

Automatic Door (Power Conversion)

The OEM Chrysler power door operator opens the sliding door at the touch of a button. A manual conversion is also available.

Automatic Ramp (Power Conversion)

The lightweight power foldout ramp offers unparalleled ease of access for wheelchair and scooter users. A manual conversion is also available.

Custom Ground Effects with Integrated Step

Adds stylish lines and enhances smooth OEM appearance.

Automatic Kneeling Rear Suspension (Power Conversion)

The vehicle features a kneeling system to make boarding even easier. An actuator lowers the rear suspension while the door opens, which reduces the slope of the automatic ramp. The system can be de-activated when desired with the on/off switch.

Integrated Keyfob Remote (Power Conversion) ▶

Control of the vehicle's accessible features is built into the Chrysler keyfob remote. Quick-touch operation assures simple, convenient and reliable operation. Two keyfobs are included with the vehicle. Additional keyfob optional.



Fold-Down Footrest

Adds comfort for backseat passengers and folds away automatically.

OEM-Style Switches (Power Conversion)

Operational switches are conveniently located throughout the interior for wheelchair users' convenience. The switches match the OEM style and appearance.

"Step & Roll" Front Passenger Seats ▶

The driver and passenger seats can be easily removed to provide wheelchair securement positions in the front of the vehicle.



Rear Cargo Area

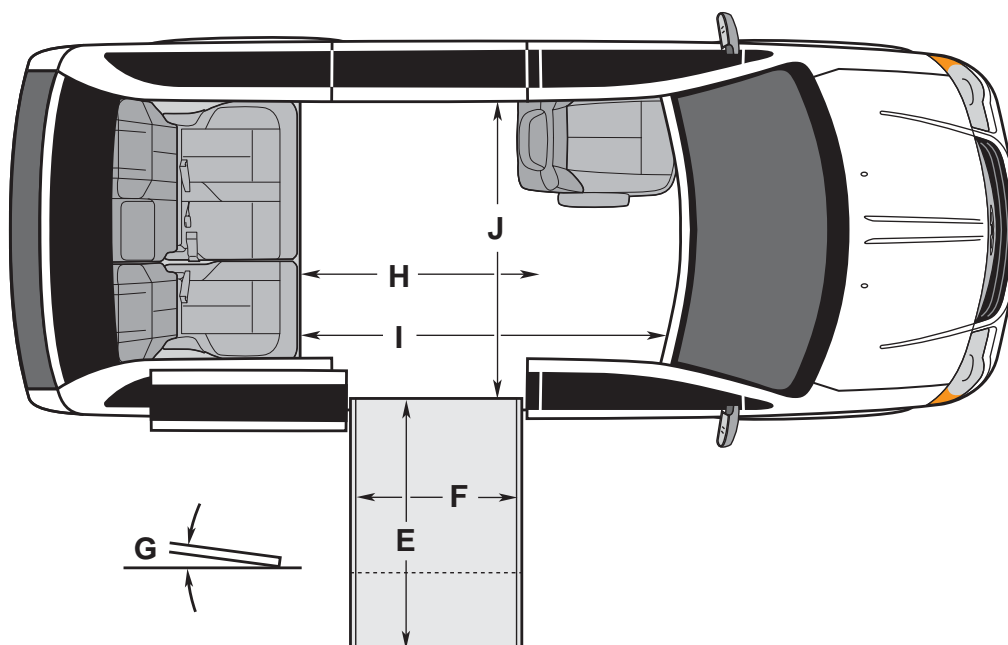
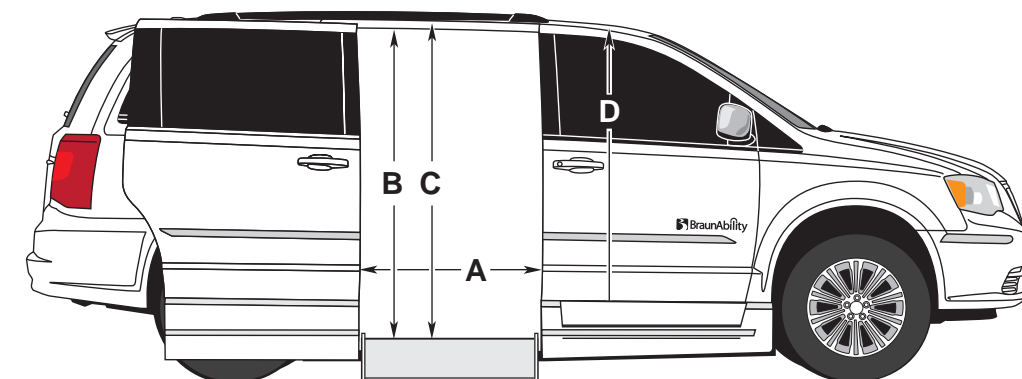
An under-floor storage compartment keeps essentials out of your way until needed.

Wheelchair/Occupant Securement System

One belt system is included for use with the floor-mounted tracks.



Entervan® XT Dimensions



All dimensions are for reference only.

		Foldout Ramp
Door Opening Usable Width (Slide Door)	A	31-1/2"
Door Opening Usable Height (Slide Door)	B	56-1/2"
Interior Height at Center of Van*	C	61"
Interior Height at Driver and Passenger Position**	D	60"
Ramp Length	E	52"
Ramp Width (Usable Clear Opening)	F	29-1/4"
Ramp Angle (with Vehicle Kneeled on a Power Conversion)	G	7.5°
Interior Floor Length (Behind Front Seats)	H	57"
Overall Interior Floor Length (Flat Area)	I	87-1/2"
Interior Width at B Pillars	J	62"

Due to manufacturing tolerances both with the OEM vehicle and the conversion components, all dimensions may vary slightly from those shown.

* Deduct 2-1/2" off of Interior Height for Applications with Overhead DVD/Rail System

** Deduct 3-1/4" off of Interior Height for Applications with Moon Roof